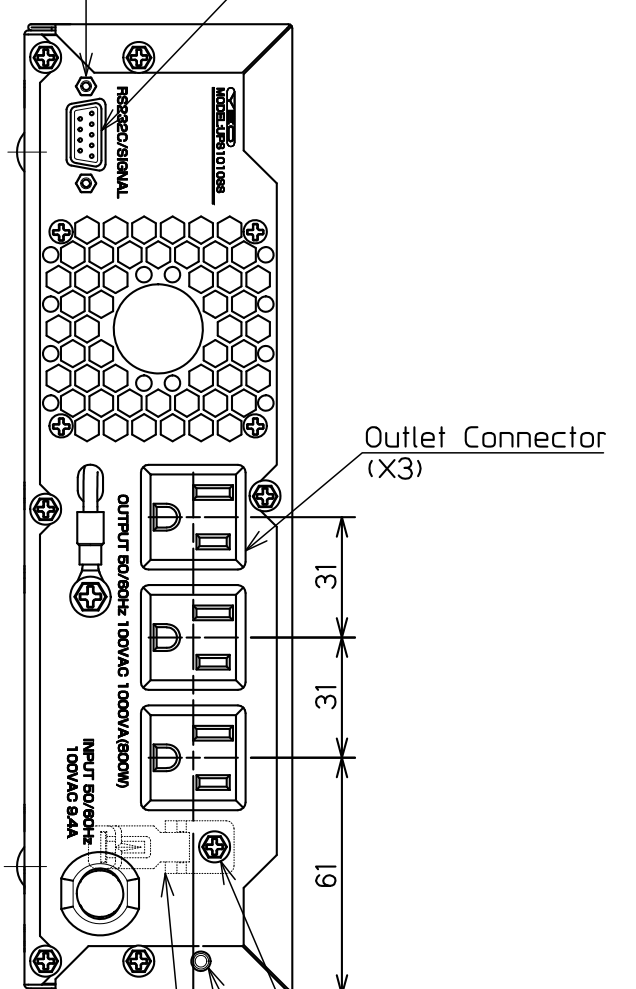


Screw(#4-40UNC)x2
RS232C/SIGNAL Connector

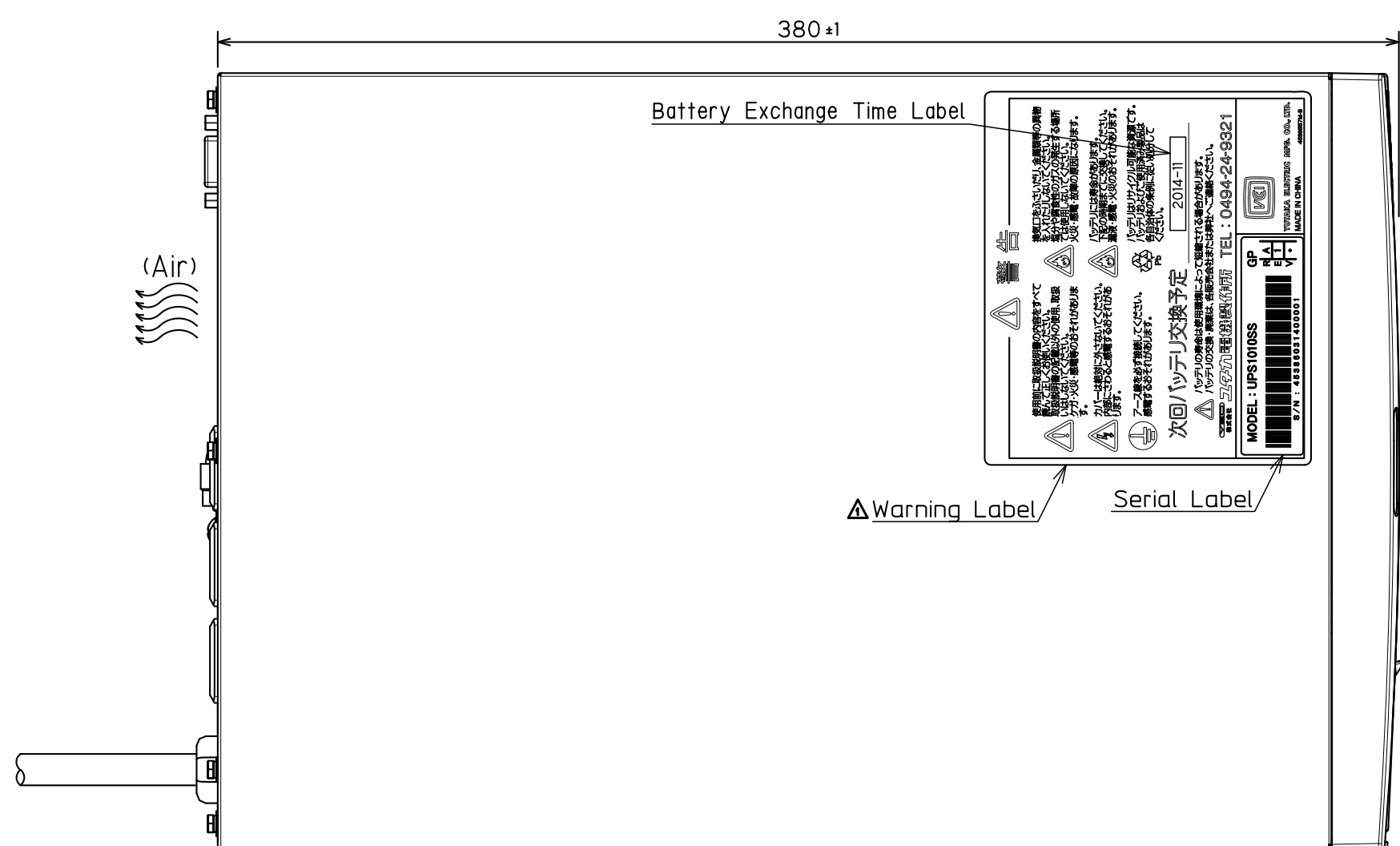


Outlet Connector (X3)

Accessories Cable Ties Fixed Screw
Stand fixed hole Accessories Screw
Accessories Cable Ties

Input Cable

(約2250mm)

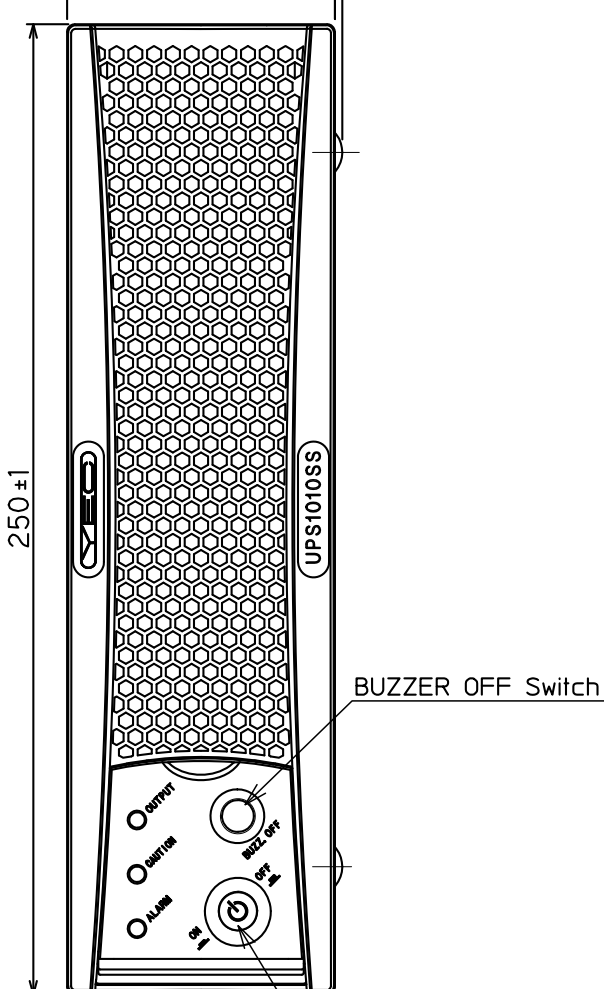


Battery Exchange Time Label

Warning Label

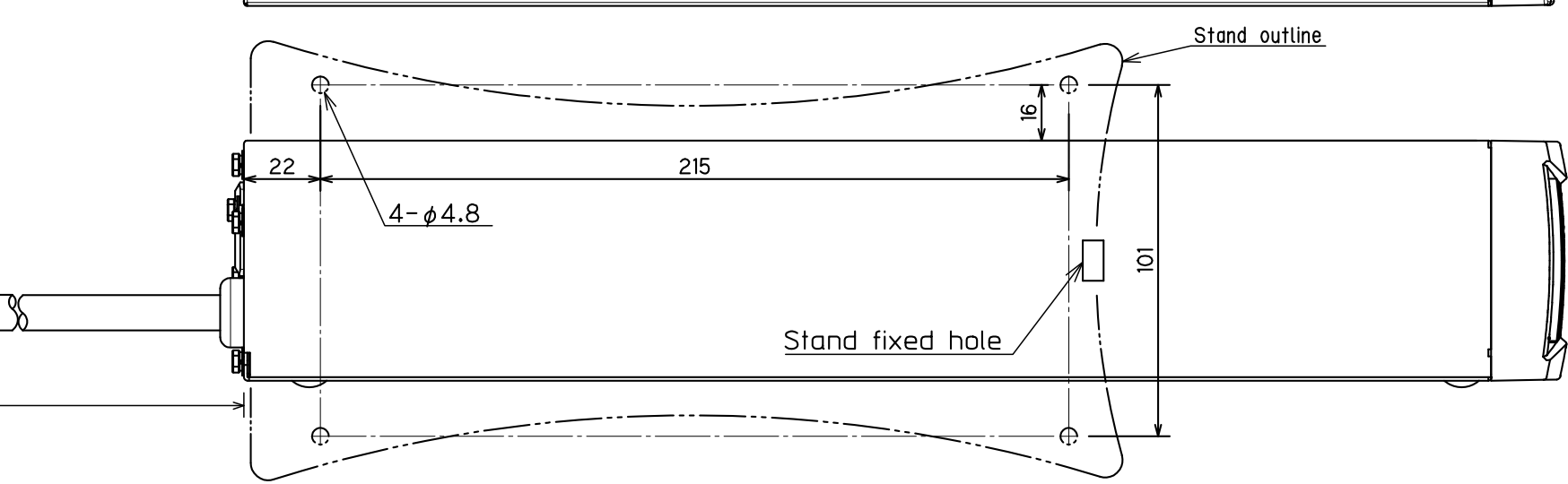
Serial Label

69±1 (2)



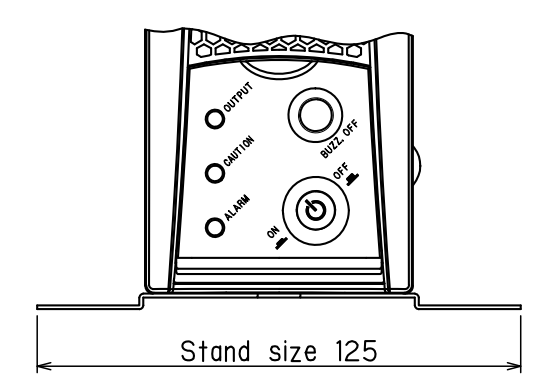
BUZZER OFF Switch

OPERATION Switch



Stand outline

Stand fixed hole



Stand size 125

Color:PANTONE BLACK C

								名 (DESIGNATION) UPS1010SS	
								称 Outline Drawing	
								図 (DWG No.)	
								番 4538600FZ	
								(PAGE) 1/1	
								ページ	
								承認 Hasegawa	
								製 (DWG) Miyatani	
								設計 (DESIG) Miyatani	
								2016/3/22	
								Date	
								2014.04.23	
								Date	
								2016/3/22	
								Date	
								Warning Label change	
								Content	
								2016/3/22	
								Date	
								2016/3/22	
								Date	
								2016/3/22	
								Date	
								2016/3/22	
								Date	
								2016/3/22	
								Date	
								2016/3/22	
								Date	
								2016/3/22	
								Date	
								2016/3/22	
								Date	
								2016/3/22	
								Date	
								2016/3/22	
								Date	
								2016/3/22	
								Date	
								2016/3/22	
								Date	
								2016/3/22	
								Date	
								2016/3/22	
								Date	
								2016/3/22	
								Date	
								2016/3/22	
								Date	
								2016/3/22	
								Date	
								2016/3/22	
								Date	
								2016/3/22	
								Date	
								2016/3/22	
								Date	
								2016/3/22	
								Date	
								2016/3/22	
								Date	
								2016/3/22	
								Date	
								2016/3/22	
								Date	
								2016/3/22	
								Date	
								2016/3/22	
								Date	
								2016/3/22	
								Date	
								2016/3/22	
								Date	
								2016/3/22	
								Date	
								2016/3/22	
								Date	
								2016/3/22	
								Date	
								2016/3/22	
								Date	
								2016/3/22	
								Date	
								2016/3/22	
								Date	
								2016/3/22	
								Date	
								2016/3/22	
								Date	
								2016/3/22	
								Date	
								2016/3/22	
								Date	
								2016/3/22	
								Date	
								2016/3/22	
								Date	
								2016/3/22	
								Date	
								2016/3/22	
								Date	
								2016/3/22	
								Date	
								2016/3/22	
								Date	
								2016/3/22	
								Date	
								2016/3/22	
								Date	
								2016/3/22	
								Date	
								2016/3/22	
								Date	
								2016/3/22	
								Date	
								2016/3/22	
								Date	
								2016/3/22	
								Date	
								2016/3/22	
								Date	
								2016/3/22	
								Date	
								2016/3/22	
								Date	
								2016/3/22	
								Date	
								2016/3/22	
								Date	
								2016/3/22	
								Date	
								2016/3/22	
								Date	
								2016/3/22	
								Date	
								2016/3/22	
								Date	
								2016/3/22	
								Date	
								2016/3/22	
								Date	
								2016/3/22	
								Date	
								2016/3/22	
								Date	
								2016/3/22	
								Date	
								2016/3/22	
								Date	
								2016/3/22	
								Date	
								2016/3/22	
								Date	
								2016/3/22	
								Date	
								2016/3/22	
								Date	
								2016/3/22	
								Date	
								2016/3/22	
								Date	
								2016/3/22	
								Date	
								2016/3/22	
								Date	
								2016/3/22	
								Date	
								2016/3/22	
								Date	
								2016/3/22	
								Date	
								2016/3/22	
								Date	
								2016/3/22	
								Date	
								2016/3/22	
								Date	
								2016/3/22	
								Date	
								2016/3/22	
								Date	
								2016/3/22	
								Date	
								2016/3/22	
								Date	
								2016/3/22	
								Date	
								2016/3/22	
								Date	
								2016/3/22	
								Date	
								2016/3/22	
								Date	
								2016/3/22	
								Date	
								2016/3/22	
								Date	
								2016/3/22	
								Date	
								2016/3/22	
								Date	
								2016/3/22	
								Date	
								2016/3/22	
								Date	
								2016/3/22	
								Date	
								2016/3/22	
								Date	
								2016/3/22	
								Date	
								2016/3/22	